

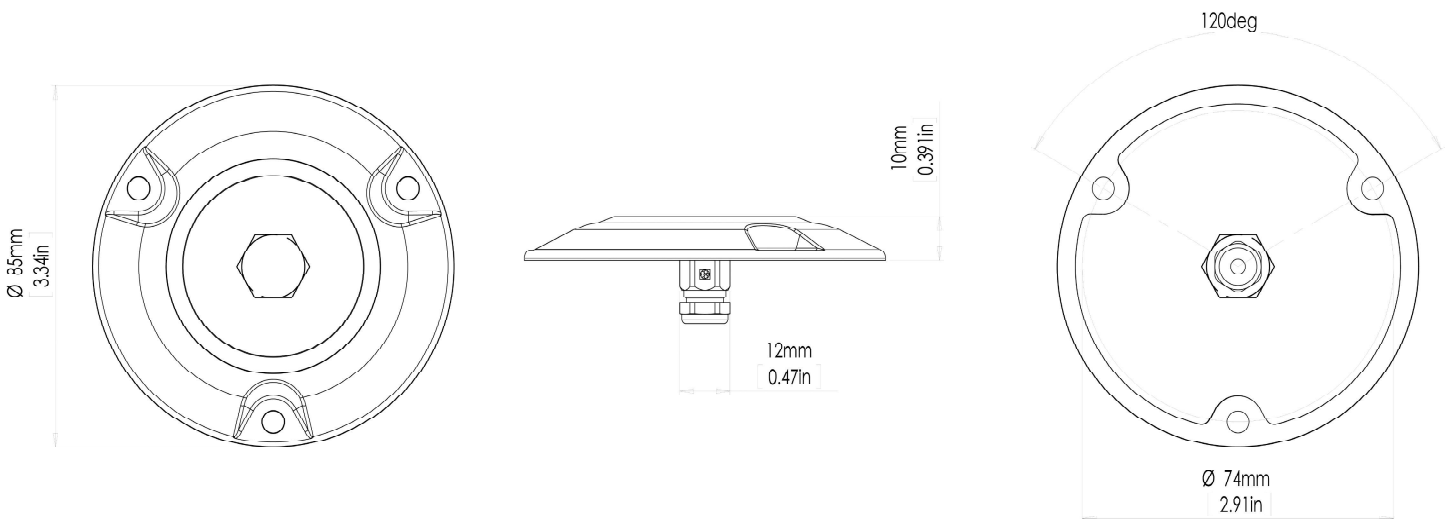
ORA Series - Single Color

SMX11

SURFACE MOUNT UNDERWATER LED LIGHT

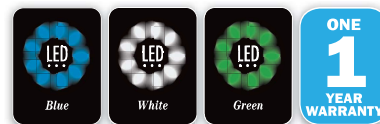


| PART DESCRIPTION | ORA SMX11 SURFACE MOUNT UNDERWATER LED LIGHT |
|-------------------------|---|
| Part Number | Blue: 60-0154 White: 60-0155 Green: 60-0156 |
| Available Colors | Single Color (Blue, White or Green) |
| Lumens | 2,475 |
| Fixture Lumens (White) | 1,100 |
| Number & Type Of LED | 6 x 3W High Power LEDs |
| LED Power - HICOB Array | Yes |
| Typical LED Life | 50,000+ Hours |
| Warranty | 1 Year |
| User Control Options | RM12 Remote Control |



ORA Series - Single Color SMX11

SURFACE MOUNT UNDERWATER LED LIGHT



| TECHNICAL | |
|-------------------------------------|---|
| Driver | Internal Driver |
| Supply Voltage Range (12 V ONLY) | 10.5–14.5 V DC |
| Max Current Draw 12V | 1 A |
| Surge Protection | Yes (3,000V) |
| ATRB (Automatic Thermal Roll-Back) | Yes |
| Low Voltage Protection | Automatic Voltage Roll-Back Control And Low Voltage Cut Out |
| “Soft Start” Electronics Protection | Yes |
| Reverse Polarity Protection | Yes |

| PHYSICAL | |
|---------------------------------|--|
| Beam Angle | 60° |
| Water Ingress Protection Rating | IP68 |
| Light Face Diameter | 85mm / 3.34” |
| Profile (Height) Of Housing | 10mm / 0.39” |
| Housing Type | Marine Grade Polymer |
| Light Cable Length | 2m / 6’6” |
| Hole Cut-Out for Cable | 13mm / 0.51” |
| Weight | 84g (0.18 Lbs) |
| Bonding | Not Required |
| Installation | 3 x A4 stainless steel screws (Provided) |

| ACCESSORIES | PART NUMBER |
|---------------------|-------------|
| RM12 Remote Control | 60-0125 |

ORASMX11.01.21